

PLEASE READ

This manual is provided as a free service by Projector.com.

We are in no way responsible for the contents of the manual. We do not guarantee its accuracy and we do not make any claim of copyright. The copyright remains the property of their respective owners.

ABOUT PROJECTOR.COM

Projector.com (<http://www.projector.com>) is your review and buying guide resource for DLP and LCD video projectors.

Visit the site to read the latest projector news and reviews, read and comment on projector specifications, download user manuals and much more.



**ImagePro 9017
Video/Cinema/Data
DILA Projector**

- 1500 lumen brightness
- SXGA plus resolution
- Film like image
- Professional color fidelity
- All the necessary features

Two year warranty

- **Education**
- **Business**
- **Home Theater**



**9017
DUKANE**

ImagePro 9017 Video/Cinema/Data DILA Projector

A new set of options for the future

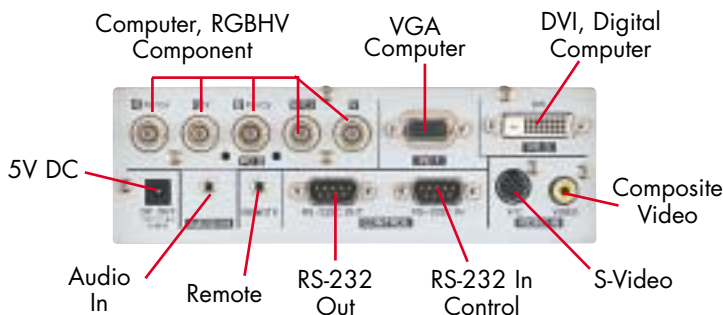
The Dukane ImagePro 9017 is the professional projector that combines the color accuracy, image quality, and resolution needed when a truly outstanding viewing event is required. From small fonts to high resolution graphics, computer images can be projected in a form that compares to the best monitors.

In addition, video images including all forms of HDTV can be displayed in superb color, contrast, and resolution. A compact size and exceptional feature set make this the ideal projector for technical applications such as training, board-rooms, seminars, or an outstanding home theater.



Key features:

- True SXGA+ Resolution (1400 x 1050)
- DILA Technology for film like images
- Excellent Color Fidelity matches your source
- Third generation scaling and deinterlacer to provide the perfect image
- 1500 ANSI lumens at 800 to 1 contrast
- Compatible with all video, including HDTV, plus computer images
- Portable and compact at only 13 lbs.
- "Custom Image" for your startup and blank screens
- "Silent Running" so you hear only your message
- Vertical and horizontal keystone correction
- New 2000 hour lamp life
- Multiple inputs for maximum flexibility



DUKANE

Dukane Corporation
Audio Visual Products Division
2900 Dukane Drive
St. Charles, Illinois 60174
800-676-2485 toll-free
630-584-5156 fax
avsales@dukcorp.com e-mail
www.dukcorp.com/av

ImagePro is a registered trademark of Dukane Corporation
#11586-B-04

Specifications

| | |
|----------------------|-----------------------------------------------------------------------------------------------------------------------------------|
| DILA Type | 0.7" x 3, Direct Image Light Amplifier |
| Brightness | 1500 ANSI lumens |
| Resolution | 1400 x 1050 pixels (H X V), 1000 TV lines |
| Contrast | 800:1 |
| Scanning Frequency | fh 15 -120 kHz, fv 24, 25, 30, 50 -120 Hz |
| Data Clock | 230 mHz |
| Lens | Manual zoom (f2.1 -2.61), 1.3x |
| Lens Throw Ratio | 1.9 – 2.5:1 throw distance to image width |
| Keystone Correction | Digital, +/-30° V, +/-10° H |
| Aspect Ratio | 4:3, 16:9, selectable |
| Computer | VGA, SVGA, XGA, SXGA, UXGA, PC and Mac |
| Video Compatibility | NTSC, PAL, SECAM, NTSC 4.43, HDTV 480p, 576p, 720p @60, 1080i (50,60), 1035i @60, 1080i (24, 25, 30), 1080p (24, 25, 30) |
| Image Control | Freeze frame, 16 x digital zoom and pan |
| Projection Modes | Front/rear/ceiling |
| Color Profile Modes | RGB, Mac, Adobe, EBU broadcast |
| Lamp | 250W, NSH |
| Lamp Life | 2000 hours (typical) |
| Audio | Speaker 1 watt monaural |
| Throw Distance | 5.2ft. to 40ft. |
| Image Size | 2.6ft. to 20ft. |
| Inputs, Video | (1) Component, BNC x 3 (1) S-video, Min DIN (1) Composite, RCA (1) Audio, mini jack |
| Inputs, Computer | (1) Digital DVI (2) RGBHV, BNC x 5 share with component, and a 15pin D-sub |
| Control | (1) Input serial, RS-232, 9pin D-sub (1) Output serial, RS-232, 9pin D-sub |
| Output Voltage | Terminal, 5V DC @ 1.5A |
| Wired Remote | Mini jack |
| Fan Level | Ultra quiet |
| Power | 100-240 VAC, 50/60 Hz, 340 watt |
| Size (WxHxD) | 11.7" x 5" x 15" |
| Weight | 13 lbs. |
| Shipping Weight | 21 lbs. |
| Carton Size | 19.5" x 12.8" x 22.5" |
| Accessories Included | Remote control, batteries, power cord, computer cable, operators manual. |
| Safety | UL/CUL, EMC Class B |
| Optional Accessories | Lamp 456-239 |

Two (2) year limited warranty

on parts and labor in North America, lamp excluded
(for other locations, local warranties apply).

Includes Dukane's FREE 12 month
Peace-of-Mind Loaner Program.

2YR

PLEASE READ

This manual is provided as a free service by Projector.com.

We are in no way responsible for the contents of the manual. We do not guarantee its accuracy and we do not make any claim of copyright. The copyright remains the property of their respective owners.

ABOUT PROJECTOR.COM

Projector.com (<http://www.projector.com>) is your review and buying guide resource for DLP and LCD video projectors.

Visit the site to read the latest projector news and reviews, read and comment on projector specifications, download user manuals and much more.